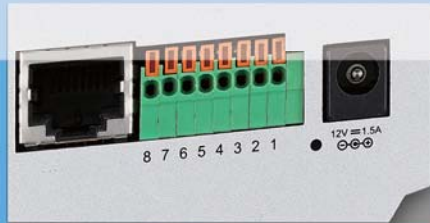


# Progressive Scan CCD Network Camera



VIVOTEK IP7151/IP7152, equipped with a progressive scan CCD sensor, delivers superior-quality, crystal-clear video for professional surveillance applications such as monitoring banks, airports, parking lots, and traffic control, etc. It can capture razor-sharp, clear, and high-resolution images of moving objects that traditional interlaced-scan techniques can not achieve. Furthermore, working in combination with the high-performance progressive scan CCD sensor on VIVOTEK IP7151/IP7152 is a removable IR-cut filter that can deliver high-quality images even in infrared illuminated conditions. With self-developed VIVOTEK VVTK-1000 SoC, it simultaneously delivers dual streams for real-time monitoring. It also comes with many useful functionalities that give users more flexibilities such as built-in 802.3af compliant PoE (IP7151), 802.11b/g WLAN connection (IP7152), multi-lingual user interface, vari-focal CS mount lens, two-way audio by SIP protocol (\*), and digital I/O for external sensor and alarm. VIVOTEK IP7151/IP7152 is definitely your best choice for a high-performance, professional surveillance system.



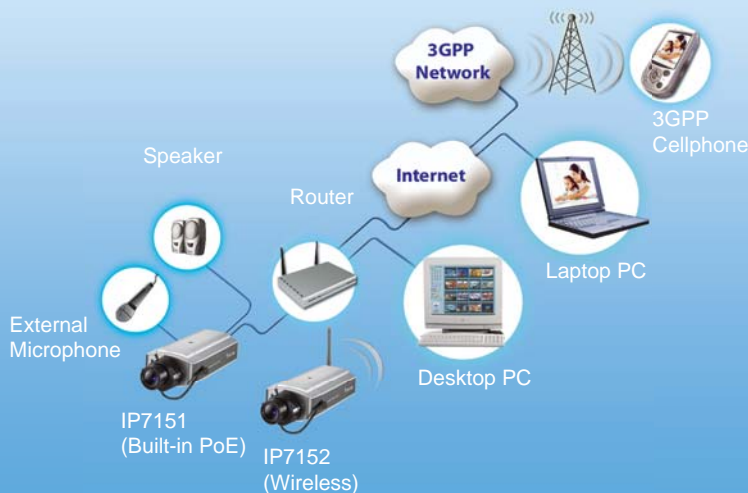
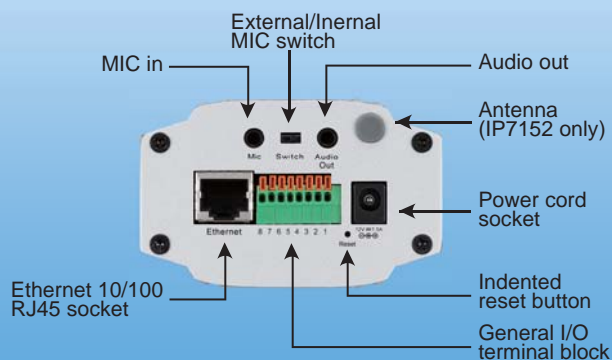
## IP7151/IP7152

### Features

- Progressive Scan CCD Sensor with VGA Resolution
- 2.9mm~8.2mm Vari-focal, Auto-iris Lens
- Removable IR-cut Filter for Day & Night Function
- Real-time MPEG-4 and MJPEG Compression (Dual Codec)
- Supports Dual Streams Simultaneously
- Supports 3GPP Mobile Surveillance
- Built-in 802.3af Compliant PoE (IP7151)
- Built-in 802.11b/g WLAN (IP7152)
- Supports Two-way Audio by SIP Protocol (\*)
- Digital I/O for External Sensor and Alarm

The features with (\*) will be available later by firmware upgrade.

### Rear Panel



## Technical Specifications

Models	<ul style="list-style-type: none"> <li>IP7151 (Built-in PoE)</li> <li>IP7152 (Built-in WLAN)</li> </ul>	Networking	<ul style="list-style-type: none"> <li>10/100 Mbps Ethernet, RJ-45</li> <li>Protocols: IPv4, TCP/IP, HTTP, UPnP, RTSP/RTP/RTCP, IGMP, SMTP, FTP, DHCP, NTP, DNS, DDNS, and PPPoE</li> <li>Built-in 802.11b/g WLAN (IP7152)</li> </ul>
System	<ul style="list-style-type: none"> <li>CPU: VVTK-1000 SoC</li> <li>Flash: 8MB</li> <li>RAM: 64MB</li> <li>Embedded OS: Linux 2.4</li> </ul>	Alarm and Event Management	<ul style="list-style-type: none"> <li>Triple-window video for motion detection</li> <li>One D/I and one D/O for external sensor and alarm</li> <li>Event notification using HTTP, SMTP, or FTP</li> <li>Local recording of MP4 files</li> </ul>
Lens	<ul style="list-style-type: none"> <li>Lens: CS-mount, f=2.9mm~8.2mm vari-focal, auto-iris</li> <li>IR Corrected</li> <li>Embedded removable IR-cut filter for day &amp; night function</li> </ul>	Security	<ul style="list-style-type: none"> <li>Multi-level user access with password protection</li> <li>IP address filtering</li> <li>Wireless: WEP, WPA-PSK, WPA2 (IP7152)</li> </ul>
Angle of view	<ul style="list-style-type: none"> <li>69.0° ~ 26.7° (horizontal)</li> <li>51.0° ~ 20.0° (vertical)</li> </ul>	Users	<ul style="list-style-type: none"> <li>Camera live viewing for up to 10 clients</li> </ul>
Shutter Time	<ul style="list-style-type: none"> <li>1/30 sec. to 1/15000 sec.</li> </ul>	Dimension (including lens)	<ul style="list-style-type: none"> <li>205.5mm (D) x 82.1mm (W) x 51.2mm (H)</li> </ul>
Image Sensor	<ul style="list-style-type: none"> <li>SONY 1/4" progressive scan CCD sensor with VGA resolution</li> </ul>	Weight (including lens)	<ul style="list-style-type: none"> <li>Net: 568g (IP7151)</li> <li>Net: 581g (IP7152)</li> </ul>
Minimum Illumination	<ul style="list-style-type: none"> <li>1.0 Lux/F1.0</li> </ul>	LED Indicator	<ul style="list-style-type: none"> <li>System power and status indicator</li> <li>System activity and network link indicator</li> </ul>
Video	<ul style="list-style-type: none"> <li>Compression: MJPEG &amp; MPEG-4</li> <li>Streaming: Simultaneous dual-streaming MPEG-4 streaming over UDP, TCP, or HTTP</li> <li>MPEG-4 multicast streaming</li> <li>MJPEG streaming over HTTP</li> <li>Supports 3GPP mobile surveillance</li> <li>Frame rates: 640x480 up to 30fps</li> </ul>	Power	<ul style="list-style-type: none"> <li>12V DC</li> <li>802.3af compliant Power over Ethernet (IP7151)</li> </ul>
Image settings	<ul style="list-style-type: none"> <li>Adjustable image size, quality, and bit rate</li> <li>Time stamp and text caption overlay</li> <li>Flip &amp; mirror</li> <li>Configurable brightness, contrast, saturation, and hue</li> <li>AGC, AWB, AES</li> <li>Automatic or manual day/night mode</li> <li>Backlight compensation (BLC)</li> <li>Supports privacy masks</li> </ul>	Approvals	<ul style="list-style-type: none"> <li>CE, FCC, C-Tick, LVD, MIC</li> </ul>
Audio	<ul style="list-style-type: none"> <li>Compression: GSM-AMR speech encoding, bit rate: 4.75 kbps to 12.2 kbps</li> <li>MPEG-4 AAC audio encoding, bit rate: 16 kbps to 128 kbps</li> <li>Interface: Built-in microphone</li> <li>External microphone input</li> <li>Audio output</li> <li>Supports two-way audio by SIP protocol (*)</li> <li>Supports audio mute</li> </ul>	Operating Environments	<ul style="list-style-type: none"> <li>Temperature: 0° ~ 40° C (32° ~ 104° F)</li> <li>Humidity: 20% ~ 80% RH</li> </ul>
		Viewing System Requirements	<ul style="list-style-type: none"> <li>OS: Microsoft Windows 2000/XP/Vista</li> <li>Browser: Internet Explorer 6.x or above</li> <li>Cellphone: 3GPP player</li> <li>Real Player: 10.5 or above</li> <li>Quick Time: 6.5 or above</li> <li>Packet Video Player: 3.0 or above</li> </ul>
		Installation, Management, and Maintenance	<ul style="list-style-type: none"> <li>Installation Wizard 2</li> <li>16-CH recording software</li> <li>Supports firmware upgrade</li> </ul>
		Applications	<ul style="list-style-type: none"> <li>SDK available for application development and system integration</li> </ul>

All specifications are subject to change without notice.  
All other trademarks are owned by their respective companies.



6F, No.192, Lien-Cheng Rd., Chung-Ho, Taipei County, Taiwan  
 Tel: +886 2 82455282  
 Fax: +886 2 82455532  
 E-mail: sales@vivotek.com  
 http://www.vivotek.com